

**Weights**

Operating weight	8540 kg
Additional weight for steel tracks	112 kg
Additional weight for long dipperstick	60 kg
Ground pressure with rubber tracks	38.20 kPa

**Engine**

Make / model	Yanmar / 4TNV98C-VDB8
Fuel	Diesel
Number of cylinders	4
Displacement	3319 cm <sup>3</sup>
Maximum NET power (ISO 9249)	44.3 kW
Maximum NET torque (ISO 9249)	241.0 Nm

**Performance**

Digging force, dipperstick (ISO 6015)	43900 N
Digging force, long dipperstick (ISO 6015)	36600 N
Digging force, bucket (ISO 6015)	64700 N
Drawbar pull	64700 N
Travel speed, low range	2.7 km/h
Travel speed, high range	4.7 km/h

**Hydraulic System**

Pump type	One engine-driven tandem axial piston pump and one engine-driven gear pump
Piston pump capacity	151.00 L/min
Auxiliary flow	95.00 L/min
System relief pressure for auxiliary circuits	250.00 bar
Auxiliary relief	210.0 bar
Relief pressure for implement circuit	295.0 bar

**Slew System**

Boom swing, left	70.0°
Boom swing, right	55.0°
Slew rate	9.5 RPM

**Fluid Capacities**

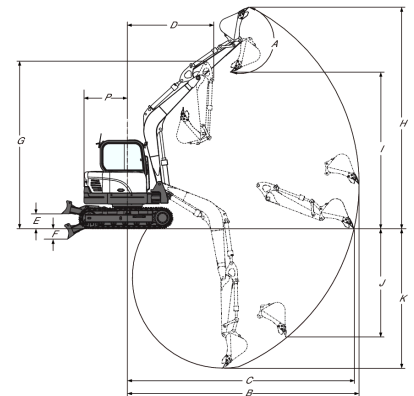
Cooling system	10.00 L
Engine lubrication plus oil filter	10.20 L
Fuel reservoir	110.00 L
Hydraulic system	148.00 L

**Environmental**

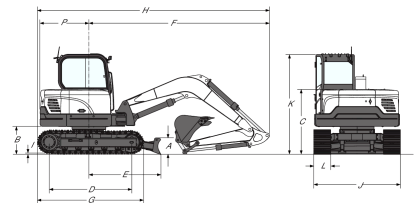
Noise level LpA(EU Directive 2006/42/EC)	71 dB(A)
Noise level LWA(EU Directive 2000/14/EC)	98 dB(A)
Whole body vibration (ISO 2631-1)	0.32 ms <sup>-2</sup>
Hand-arm vibration (ISO 5349-1)	0.82 ms <sup>-2</sup>

**Standard Features**

2300 mm dozer blade	Boom & arm safety valves
450 mm rubber tracks	Harness for rotating beacon
5.7 inch LCD screen	Fully adjustable air conditioning
Engine/hydraulic monitor with shutdown	Overload warning device
Fingertip auxiliary hydraulic control	Sun visor
Control console locks	Left rear view mirror
Hydraulic joystick controls	Electric refueling pump
Two-speed travel	Auto idle
Lockable storage compartment	Auto shift travel
Horn	Auxiliary hydraulics (1st and 2nd circuits)
Work lights	Auxiliary lines on arm with quick couplers
Retractable seat belt	Warranty: 12 months, 2000 hours (whichever occurs first)
Suspension seat with high back	Travel motion alarm
Consoles with forwards/backwards adjustable displacement	

**Working Range**


(A)	182.0°	(G)	5007.0 mm
(B)	6915.0 mm	(H)	6630.0 mm
(B)	7430.0 mm	(H*)	6980.0 mm
(C)	6765.0 mm	(I)	4645.0 mm
(C*)	7295.0 mm	(I*)	4995.0 mm
(D)	2550.0 mm	(J)	3245.0 mm
(D*)	2635.0 mm	(J)	3755.0 mm
(E)	437.0 mm	(K)	4175.0 mm
(F)	304.0 mm	(K*)	4725.0 mm

**Dimensions**


(A)	408.0 mm	(I)	26.0 mm
(B)	735.0 mm	(J)	2300.0 mm
(C)	1715.0 mm	(K)	2640.0 mm
(D)	2200.0 mm	(L)	450.0 mm
(E)	1910.0 mm	(M)	704.0 mm
(F)	4785.0 mm	(N)	837.0 mm
(G)	2825.0 mm	(O)	2550.0 mm
(H)	6165.0 mm	(P)	1300.0 mm
(H*)	6265.0 mm	(Q)	2166.0 mm

**Options**

Steel tracks	Long dipperstick
Third auxiliary hydraulic line (Clamshell Piping)	